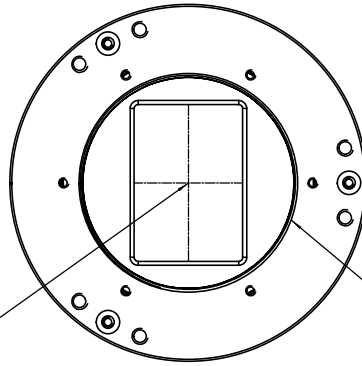


CENTER OF IMAGE AREA



M54X0.75

