

CQ35L 2.0

Thermal Monocular



HIKMICRO CONDOR LRF CQ35L 2.0 handheld thermal monocular is equipped with a $640 \times 512 @12 \mu\text{m}$ thermal detector with much higher sensitivity (NETD < 15 mK), ensuring the finest details catching no matter the weather or light conditions. A 0.49" 1920×1080 larger OLED display and the innovative shutterless system (HSIS) provide an immersive and smooth viewing experience. The laser rangefinder ensures precise distance measurement within the range of 1000 m. Maintaining the traditional premium cylindrical shape design, the monocular can be applied mainly in forest & field hunting, birding, animal searching, rescuing and marine scenarios.

Key Feature

- High sensitivity thermal module NETD < 15 mK (@25° C, F#=1.0)
- 640×512 resolution with 12 μm sensor
- 35 mm, F1.0 lens with detection range up to 1800 m
- 1920×1080 resolution 0.49-inch OLED display
- HIKMICRO Shutterless Image System (HSIS)
- 6.5 h+ continuous operation time with replaceable and rechargeable 21700 battery
- 458 g lightweight, ergonomic compact shape
- Intergrated laser rangefinder up to 1000 m

Specification

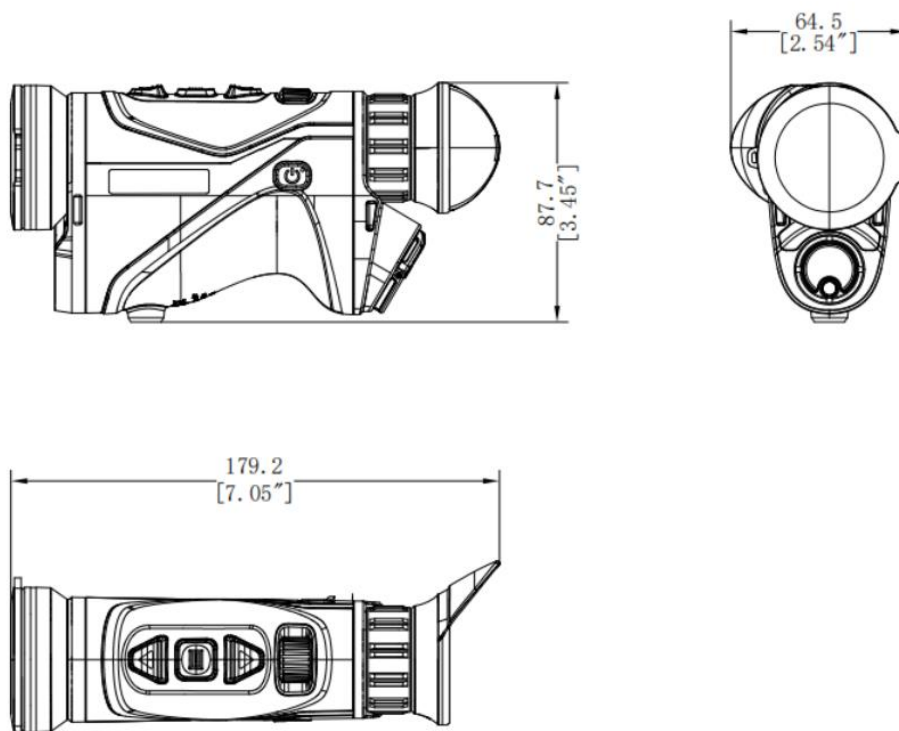
Thermal Module	
Image Sensor	VOx Uncooled Focal Plane Arrays
Max. Resolution	640 × 512
Frame Rate	50 Hz
Pixel Interval	12 μm
Response Waveband	8 μm to 14 μm
NETD	Less than 15 mK (@25°C), F#=1.0
Lens (Focal Length)	35 mm, F1.0
Focus Mode	Rear Focus Wheel
Min. Focusing Distance	3.5 m
Magnification	1.9 × - 15.2 × (8 ×)
Field of View (H × V), Degrees / m @100 m	12.5° × 10.0°/21.9 m × 17.5 m
Detection Range	1800 m
Image Display	
Display	1920 × 1080, 0.49 inch, OLED
Contrast Adjustment	Yes
Brightness Adjustment	Yes
Palettes	Black Hot, White Hot, Red Hot, Fusion, Red Monochrome, Green Monochrome
Exit Pupil	8 mm
Eye Relief	15 mm
Diopter (Range)	-5 D to +3 D
Tone Adjustment	Cold, warm
Zoom Pro	Yes
HSIS (HIKMICRO Shutterless Image System)	Yes
Image Pro 2.0	Yes
System	
Storage	Built-in Memory Module (64 GB)
Record Video	Yes
Capture Snapshot	Yes
Local Album	Yes
Standby Mode	Yes
PIP	Yes
Hotspot	2.4/5 G WiFi Waveband
Hot Track	Yes
Distance Measurement	Yes
Audio Recording	Yes
Power Supply	
Battery Type	Replaceable and rechargeable 21700 battery
Battery Operating Time	≥6.5 h (@25°C, WiFi, Zoom Pro, LRF on)
Type-C Power Supply	5 V DC, 2 A Supports External Power Supply, Support Direct Charging

General	
Work Temperature/Humidity	From -30°C to 55°C (-22°F to 131°F); Humidity: 90% or Less
Protection Level	IP67
Dimension	179.2 mm × 87.7 mm × 64.5 mm
Weight	458 g with Battery
Laser Rangefinder	
Safety Class for Laser	Class 1
Wavelength	905 nm
Max. Measuring Range	1000 m
Measurement Accuracy	±1 m
Min. Measuring Range	10 m

Available Model

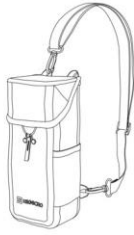
HM-TSD6-35S2G/W1L-CQ35L 2.0

Dimension



Unit: mm [Inch]

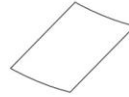
Accessories



Protective Bag (×1)



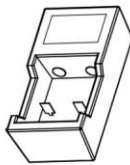
Quick Start Guide (×1)



Lint-Free Cloth (×1)



Type-C Cable (×1)



Battery Charger (×1)



Battery (×2)



Neck Strap (×1)



Hand Strap (×1)

COMPLIANCE NOTICE: The thermal series products might be subject to export controls in various countries or regions, including without limitation, the United States, European Union, United Kingdom and/or other member countries of the Wassenaar Arrangement. Please consult your professional legal or compliance expert or local government authorities for any necessary export license requirements if you intend to transfer, export, re-export the thermal series products between different countries.



Hikmicro Hunting.Global HIKMICRO Outdoor www.hikmicrotech.com hikmicro hunting.global HIKMICRO info@hikmicrotech.com

Room 313, Unit B, Building 2, 399 Danfeng Road, Xixing Subdistrict, Binjiang District, Hangzhou, Zhejiang
© Hangzhou Microimage Software Co., Ltd. All rights reserved. | Data subject to change without notice!